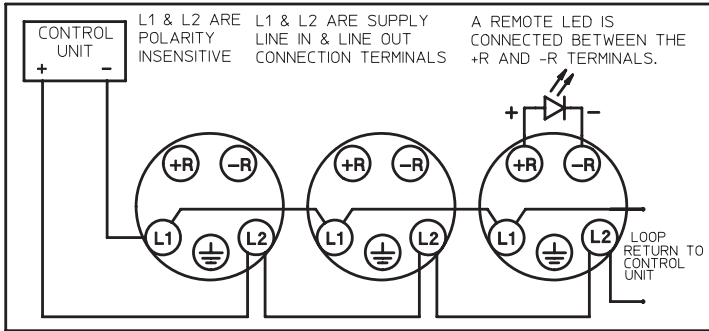




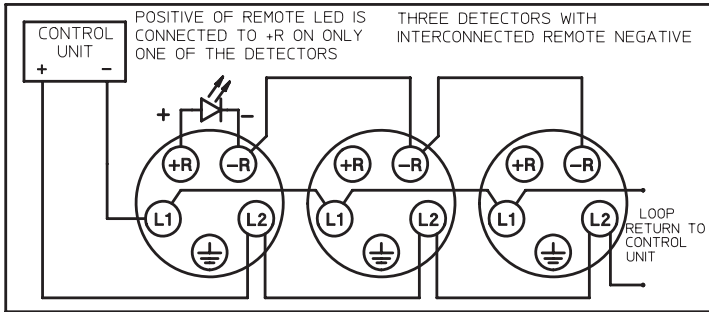
FIRE DETECTORS LIMITED

XP95 MOUNTING BASE (BLACK).

PART No. 45681-361



Schematic Wiring Diagram of XP95 Detector Circuit



Schematic Wiring Diagram of XP95 Detector Circuit With a Common Remote led

Earth Terminal is Provided for Easier Installation. It is Not Required by the Detector head.

Refer To Apollo Engineering Product Guide For Full Technical Information

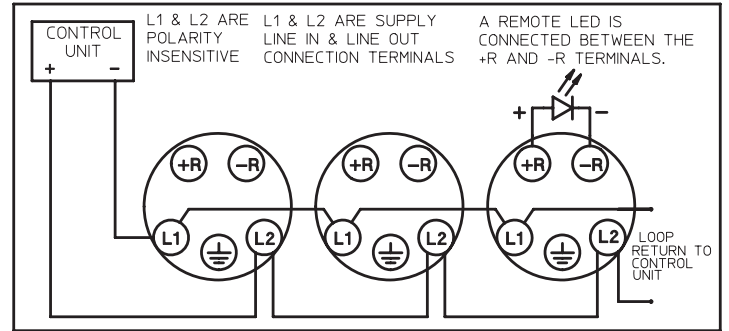
APOLLO FIRE DETECTORS LIMITED, 36 BROOKSIDE ROAD, HAVANT, PO9 1JR ENGLAND



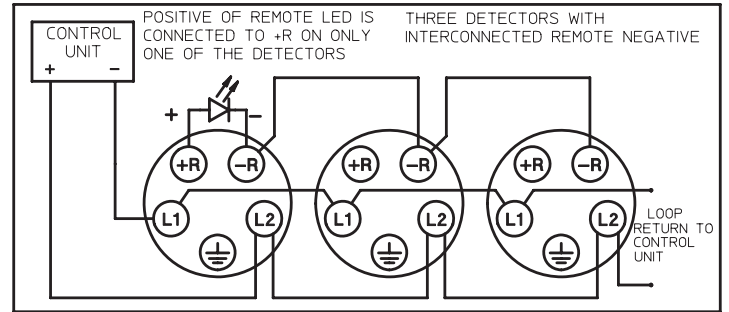
FIRE DETECTORS LIMITED

XP95 MOUNTING BASE (BLACK).

PART No. 45681-361



Schematic Wiring Diagram of XP95 Detector Circuit



Schematic Wiring Diagram of XP95 Detector Circuit With a Common Remote led

Earth Terminal is Provided for Easier Installation. It is Not Required by the Detector head.

Refer To Apollo Engineering Product Guide For Full Technical Information

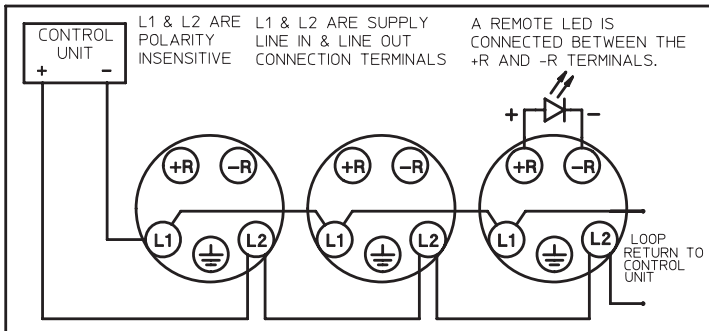
APOLLO FIRE DETECTORS LIMITED, 36 BROOKSIDE ROAD, HAVANT, PO9 1JR ENGLAND



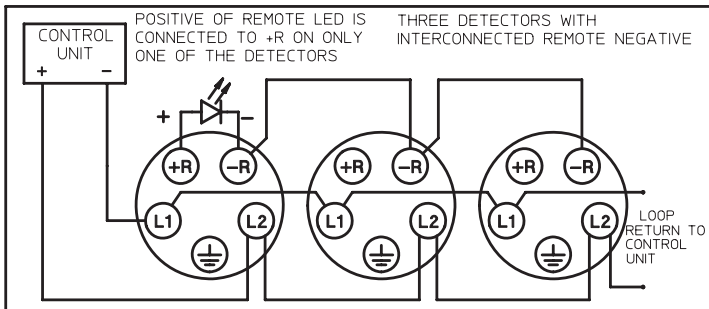
FIRE DETECTORS LIMITED

XP95 MOUNTING BASE (BLACK).

PART No. 45681-361



Schematic Wiring Diagram of XP95 Detector Circuit



Schematic Wiring Diagram of XP95 Detector Circuit With a Common Remote led

Earth Terminal is Provided for Easier Installation. It is Not Required by the Detector head.

Refer To Apollo Engineering Product Guide For Full Technical Information

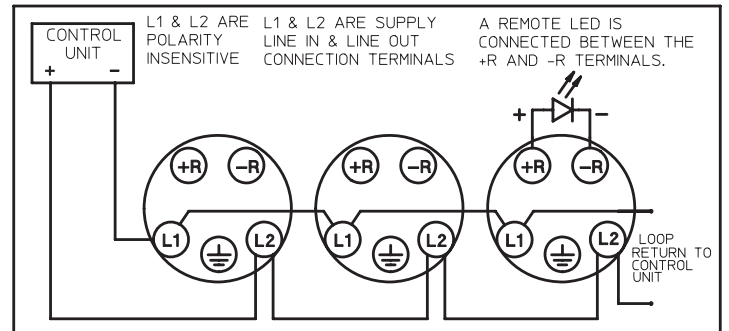
APOLLO FIRE DETECTORS LIMITED, 36 BROOKSIDE ROAD, HAVANT, PO9 1JR ENGLAND



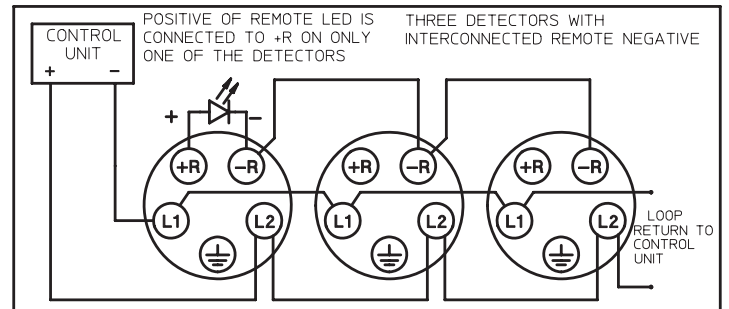
FIRE DETECTORS LIMITED

XP95 MOUNTING BASE (BLACK).

PART No. 45681-361



Schematic Wiring Diagram of XP95 Detector Circuit



Schematic Wiring Diagram of XP95 Detector Circuit With a Common Remote led

Earth Terminal is Provided for Easier Installation. It is Not Required by the Detector head.

Refer To Apollo Engineering Product Guide For Full Technical Information

APOLLO FIRE DETECTORS LIMITED, 36 BROOKSIDE ROAD, HAVANT, PO9 1JR ENGLAND